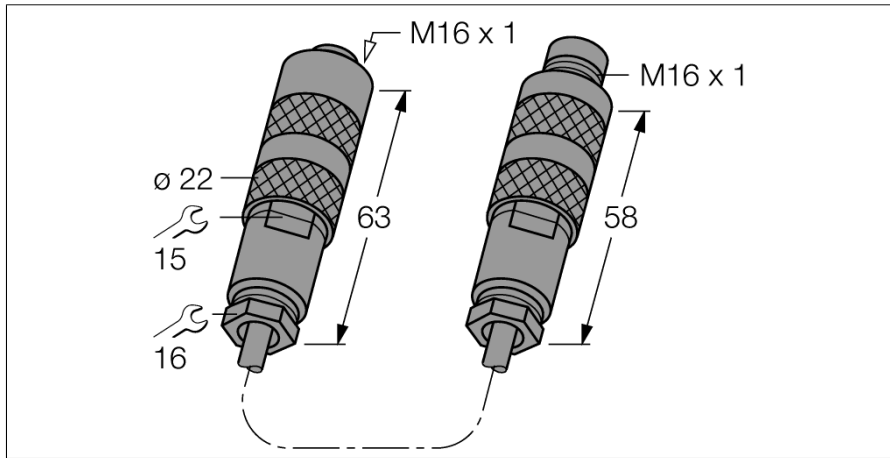


Accessories
ADAPTER CABLE RING 1.6M



- Adapter cable for ring S32

Type designation	ADAPTER CABLE RING 1.6M
Ident-No.	14306
Design	Accessories for ring sensors